

3-Terminal Audio/Video Wall Plate Instruction Manual (Decora)

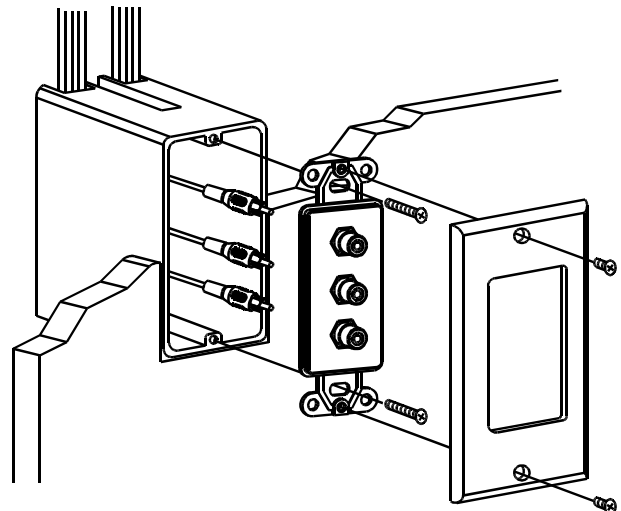
PARTS SUPPLIED:

- Mounting bolts (2)
- Short screws (2)

INSTALLATION:

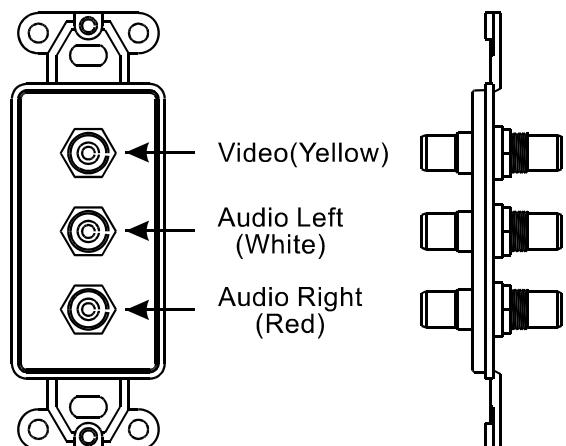
Choose a mounting location that has existing wiring or where you can easily run wire through the wall. You must use a standard electrical box.

1. Run cables from the desired source through the wall into the electrical box.
2. Plug the video cable into the yellow RCA jack on the back of the wall plate.
3. Plug the audio right cable into the red RCA jack on the back of the wall plate.
4. Plug the audio left cable into the white RCA jack on the back of the wall plate.



5. Put the wall plate on the electrical box, insert the supplied mounting bolts into the top and bottom large holes on the mounting bracket, then tighten them.
6. Place the decora plate over the wall plate and secure it with the two supplied short screws.

7. Plug the receiving device's video cable into the yellow RCA jack on the front of the wall plate.
8. Plug the receiving device's audio right cable into the red RCA jack on the front of the wall plate.



9. Plug the receiving device's audio left cable into the white RCA jack on the front of the wall plate.

3-Terminal Audio/Video Wall Plate Instruction Manual (Decora)

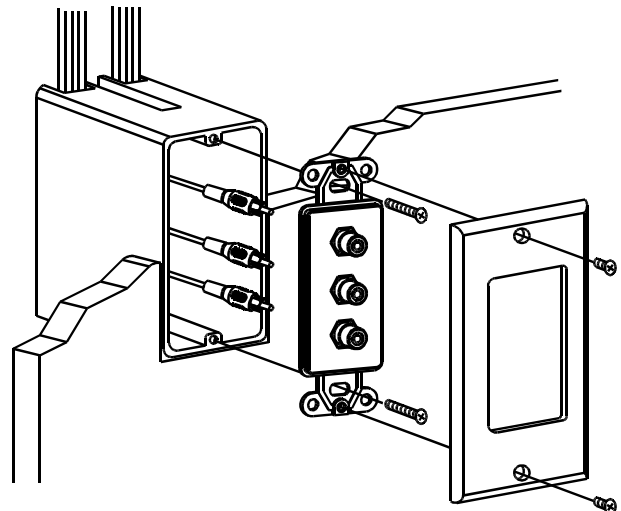
PARTS SUPPLIED:

- Mounting bolts (2)
- Short screws (2)

INSTALLATION:

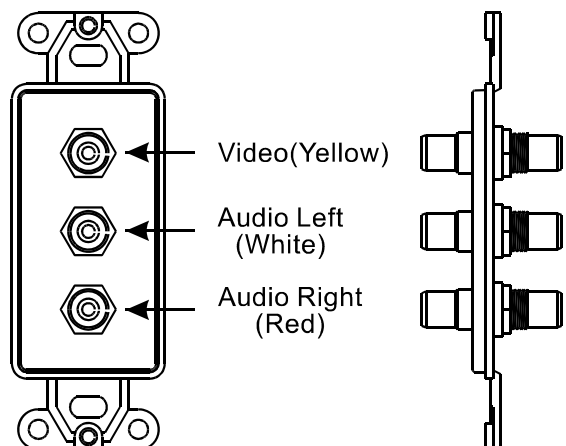
Choose a mounting location that has existing wiring or where you can easily run wire through the wall. You must use a standard electrical box.

1. Run cables from the desired source through the wall into the electrical box.
2. Plug the video cable into the yellow RCA jack on the back of the wall plate.
3. Plug the audio right cable into the red RCA jack on the back of the wall plate.
4. Plug the audio left cable into the white RCA jack on the back of the wall plate.



5. Put the wall plate on the electrical box, insert the supplied mounting bolts into the top and bottom large holes on the mounting bracket, then tighten them.
6. Place the decora plate over the wall plate and secure it with the two supplied short screws.

7. Plug the receiving device's video cable into the yellow RCA jack on the front of the wall plate.
8. Plug the receiving device's audio right cable into the red RCA jack on the front of the wall plate.



9. Plug the receiving device's audio left cable into the white RCA jack on the front of the wall plate.